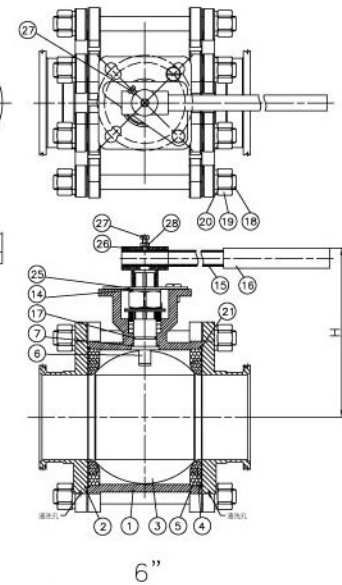
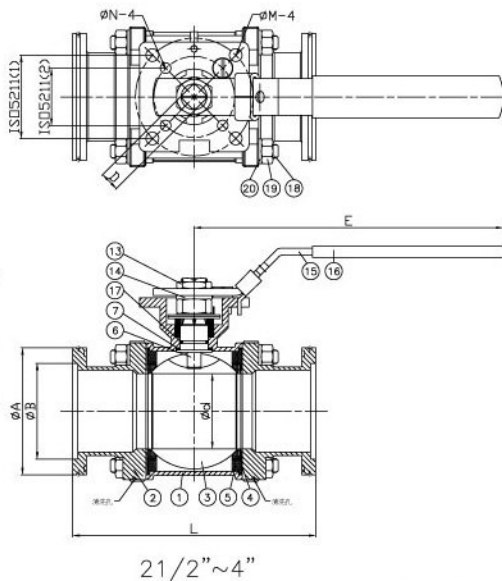
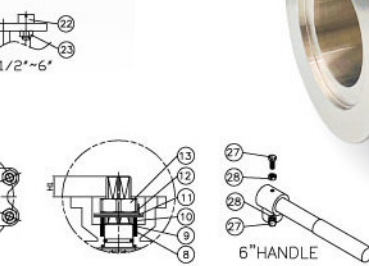
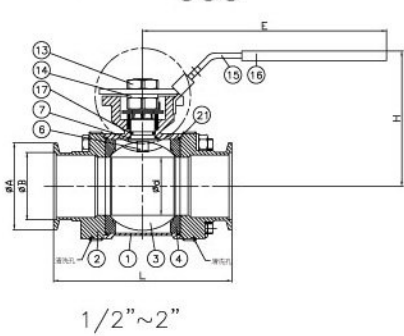
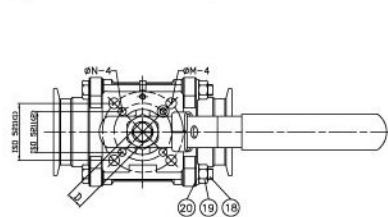
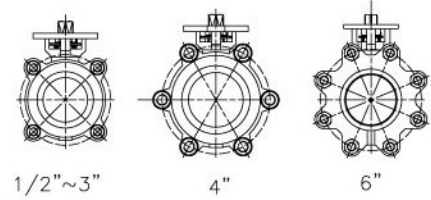
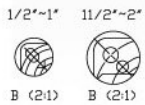


SC-03NW

3 PIECE DIRECT MOUNTING (NW) BALL VALVE

Vacuum Ball Valve

ISO5211 Direct-Mounting
 Size Range : NW-16 / NW-25 / NW-40 / NW-50
 Temperature Range : -20 to 180°C
 Working Pressure : 1000PSI
 Seat : PTFE
 Stem : Explosion-proof design
 Handle : Locking device design
 End Connections : NW



DIMENSIONS

UNIT:MM

END CAP DESIGN BY DIN 28 403

SIZE	d	L	H	D	N	M	E	H1	ISO 5211 (1)	ISO 5211 (2)	øA	øB
1/2"	15	90	67	9	6	6	131	8.1	F04	F03	30.00	17.20
(3/4")	20	101.6	73	9	6	6	131	9.0	F04	F03	40.00	22.20
1"	25	112.6	89	11	6	7	184	11.5	F05	F04	40.00	26.20
(1-1/4")	32	121.2	95	11	6	7	184	11.5	F05	F04	55.00	34.20
1-1/2"	38	145.6	109	14	7	9	211	15.0	F07	F05	55.00	41.20
2"	38	145.6	109	14	7	9	211	15.0	F07	F05	75.00	52.40

END CAP DESIGN BY DIN 28 404

SIZE	d	L	H	D	N	M	E	H1	ISO 5211 (1)	ISO 5211 (2)	øA	øB
2-1/2"	65	210.5	143	17	9	11	267	17.0	F10	F07	95.00	70.00
3"	65	210.5	143	17	9	11	267	17.0	F10	F07	110.00	83.00
4"	80	220.0	153	17	9	11	267	17.0	F10	F07	130.00	102.00
6"	146.8	365.2	290	27	17	21	557	19.0	F16	F14	180.00	153.00

MATERIAL LIST

NO	PART NAME	MATERIAL	QTY
1	BODY	ASTM A351 Gr.CF8M	1
2	CAP	ASTM A351 Gr.CF8M	2
3	BALL	ASTM A351 Gr.CF8M	1
4	BALL SEATS	PTFE	2
5	SEAT RING	PTFE	2
6	STEM	S.S.316	1
7	THRUST WASHER	PTFE	1
8	STEM PACKING	PTFE	1 SETS
9	THRUST WASHER	TFM1600	1
10	GLAND BUSH	S.S.304	1
11	BELLEVILLE WASHER	SUS304-CSP	2
12	STOP	S.S.304	1
13	HANDLE NUT	S.S.304	2
14	WASHER	S.S.304	1
15	HANDLE	S.S.304	1
16	HANDLE SLEEVE	VINYL GRIP	1
17	O-RING	VITON	1
18	BOLT	S.S.304	4/6/8
19	NUT	A2-70	8/12/16
20	BOLT WASHER	S.S.304	8/12/16
21	END SEALS	PTFE	2
22	STOPPER	S.S.304	1
23	NUT	A2-70	1
24	WASHER	S.S.304	1
25	STOP PLATE	S.S.304	1
26	SETAM ADAPTER	CF8	1
27	BOLT	A2-70	2
28	NUT	A2-70	2