

# FIRE SAFE 手動法蘭球塞閥



Art:2871

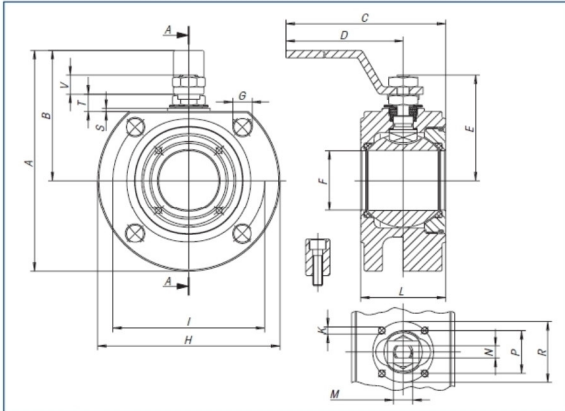


Atex CE 112 GD\*

### MAIN STANDARD FEATURES

- CONSTRUCTION: AISI 316
- General prescriptions: BS 5351
- Certifications: FIRE SAFE to: BS 6755 - API 6 FA - API 607  
DVGW for gas  
TUV for TA Luft
- DIAMETER: from DN 15- to DN 100  
(for DN 100 to DN 200 see SELENE valve)
- PRESSURES: PN 16/40 from DN 15 to DN 32 body machined from bar  
PN 16 from DN 40 to DN 100 body from casting
- TEMPERATURE LIMITS: from -20°C to +180°C
- CONNECTIONS with flanges: UNI 2223-2229 and DIN 2501 BL.1
- FLANGE DRILLING: METRIC
- With contained ball up to DN25
- BLOW-OUT PROOF stem with antistatic device (from DN40)
- WRAPPING SEATS
- TRIPLE stem-packing with labyrinth effect and automatic adjustment by Belleville washers
- ISO 5211 mounting plate for actuators
- NON-WETTED parts in stainless steel
- OPERATION device: lever handle

REF.	PART	MATERIAL	DIN MAT.	QTY
1	BODY	AISI 316/CF8M	1.4408/1.4401	1
2	THREADED LOCKING RING	AISI 316	1.4401	1
3	BALL	AISI 316	1.4401	1
4	STEM	AISI 316	1.4401	1
5	SEAT	PTFE		2
6	SIDE SEALING RING	PTFE		1
7	O-RING	NBR		1
8	UPPER RING	PTFE		2
9	STEM O-RING	VITON		1
10	UPPER SEALING COUPLE	PTFE		1
11	PACKING GLAND	AISI 304	1.4301	1
12	OPERATION STOP	S.S.		1
13	BELLEVILLE WASHERS	50CrV4		2
14	STEM RETAINING NUT	S.S.		1
15	FIXING NUT PLATE	AISI 304	1.4301	1
17	LOCKING NUT	S.S.		1
18	LEVER HANDLE	S.S.		1
19	OPERATION STOP SCREW	S.S.		1



### DIN 16/40 ANSI 150 - AISI 316L FROM BAR / AUS STANGE from 1/2" to 2"

SIZE	A	B	C	D	E	F	G	H	K	I	L	M	N	P	R	S	T	V	N Holes	PN	ISO	Weight in gr.
DN15	110	65	160	140	48	15	M12	90	M5	65	35	M10	6	25	36	2	8	9	4	40	F03	1345
DN20	120	70	160	140	51	20	M12	100	M5	75	38	M10	6	25	36	2	8	9	4	40	F03	1810
DN25	137	82	200	180	62.5	25	M12	110	M5	85	43	M12	8	30	42	2	11.5	11.5	4	40	F04	2505
DN32	150	85	205	180	67	32	M16	130	M5	100	50	M12	8	30	42	2	9.5	11.5	4	40	F04	3995
DN40	172	102	260	230	80	40	M16	140	M6	110	60	M16	10	35	50	2.5	14	16	4	16	F05	4190
DN50	185	110	265	230	87	50	M16	165	M6	125	70	M16	10	35	50	2.5	14	16	4	16	F05	5790
DN65	225	137.5	400	350	119.5	65	M16	185	M8	145	95	M22	14	55	70	3	18.7	20.8	4	16	F07	10200
DN80	245	150	410	350	129.5	78	M16	200	M8	160	118	M22	14	55	70	3	18.7	20.8	8	16	F07	13700
DN100	275	165	580	508	148.5	96	M16	220	M10	180	140	M27	16	70	102	3	22.2	25.3	8	16	F10	20000

For DN 125 to DN 200 see "SELENE" split body wafer valve

Art:2921

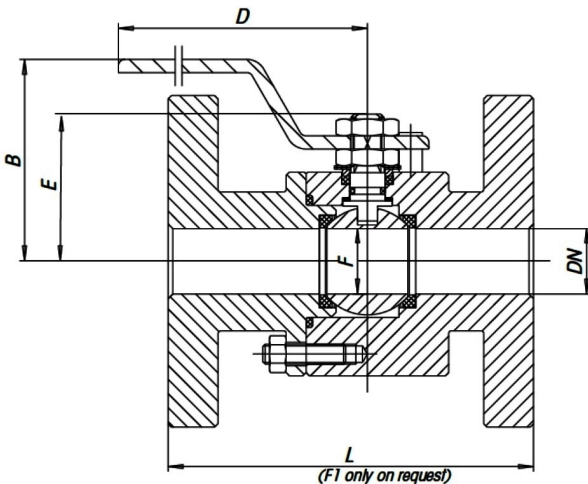


Atex CE 112 GD\*

### MAIN STANDARD FEATURES

- CONSTRUCTION: AISI 316
- General prescriptions: BS 5351
- Certifications: FIRE SAFE to: BS 6755 - API 6 FA - API 607  
TUV for TA Luft
- DIAMETER: from DN 15-1/2" to DN 150-6"
- PRESSURES: PN 16/40 from DN 15 to DN 50  
PN 16 from DN 65 to DN 150  
ANSI 150 from 1/2" to 6"
- TEMPERATURE LIMITS: from -20°C to +180°C
- CONNECTIONS: flanges to UNI 2223-2229 and DIN 2501 BL.1  
DIN 3202 face to face F4  
flanges to ANSI 150 RF - ANSI B16.5 -  
ANSI B16.10 face to face
- BLOW-OUT PROOF stem with antistatic device (from DN40)
- WRAPPING SEATS
- TRIPLE stem-packing with labyrinth effect and automatic adjustment by Belleville washers
- ISO 5211 mounting plate for actuators
- OPERATION device: lever handle

REF.	PART	MATERIAL	DIN MAT.	QTY
1	BODY	AISI 316	1.4401	1
2	BODY FLANGE	AISI 316	1.4401	1
3	BALL	AISI 316	1.4401	1
4	STEM	AISI 316	1.4401	1
5	SEAT	PTFE		2
6	FLANGE SEAL	PTFE		1
8	STEM SEAL	PTFE		1
9	STEM O-RING	VITON		1
10	UPPER SEAL	PTFE		1
11	PACKING GLAND	AISI 316	1.4401	1
13	BELLEVILLE WASHERS	S.S.		2
14	STEM RETAINING NUT	AISI 304	1.4301	1
17	LOCKING NUT	AISI 304	1.4301	1
18	LEVER HANDLE	C.S. GALV.		1
35	OPERATION STOP PIN	AISI 304	1.4301	1
36	STUD BOLT	A 193 B8		4
37	NUT	A 194 8A		4



serie ANSI 150							
SIZE	B	D	E	F	L	ISO	Weight in gr.
1/2"	66	140	48	15	108	F03	3600
3/4"	69	140	51	20	117	F03	3750
1"	82	180	62,5	25	127	F04	5525
1" 1/4	87	180	67	32	140	F04	8320
1" 1/2	108	230	87,5	40	165	F05	10260
2"	115	230	94,5	49,5	178	F05	13755
2" 1/2	139	320	119,5	65	190	F07	23130
3"	150	320	130	78	203	F07	29235
4"	163	370	148,5	96	229	F10	39385
6"	249	584	200	144	394	F12	114100